

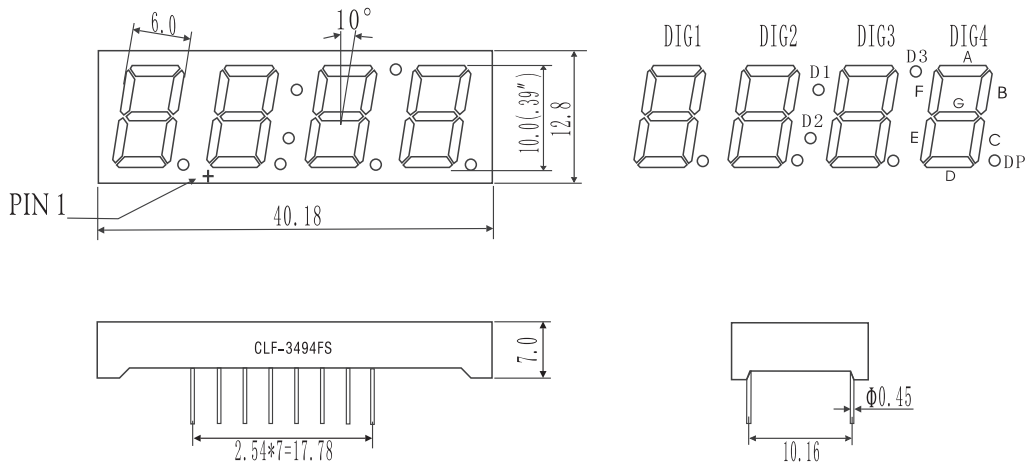
## 0.39" 4-Digit LED Display

Model NO. :                     -3494FS                    

Chip (Ta=±25°C)		PIN	Drive Mode	Face
Quantity	Emitting color	10.28mm	Common Anode	
35ea	Red			Gray

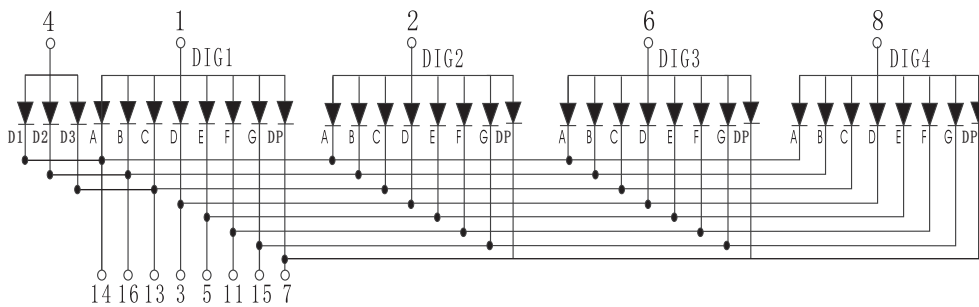
■ Package Outlines

(unit:mm)



- Notes:  
 1. All dimensions are in millimeters (inches);  
 2. Tolerances is ±0.25 (0.01") unless otherwise noted.

■ Internal Circuit:



## 0.39" 4-Digit LED Display

Model NO. : 3494FS

## ■ Absolute Maximum Ratings (Ta=+25°C)

Characteristics	Symbol	Rating	Unit	Remarks
Forward current/per chip	$I_F$	30	mA	—
Peak forward current/per chip	$I_{F(Peak)}$	100	mA	1/10 Duty Cycle
Reverse Voltage	$V_R$	5	V	—
Operating Temperature	$T_{Opr}$	-25 ~ +80	°C	—
Storage Temperature	$T_{Stg}$	-40 ~ +85	°C	—
Solder Temperature	$T_{Sol}$	260	°C	≤ 5 seconds
Power Dissipation/per chip	$P_d$	100	mw	—

## ■ Electro-Optical Characteristics (Ta=25°C) :

Parameter	Symbol	Test condition	Min.	Typ.	Max.	Unit
Forward Voltage	$V_F$	$I_F=20mA$	1.65	—	2.4	V
Peak Wavelength	$\lambda_P$	$I_F=20mA$	—	643	—	nm
Spectrum width (Half value)	$\Delta\lambda$	$I_F=20mA$	—	25	—	nm
Luminous Intensity	$I_V$	$I_F=10mA$	—	5	—	mcd
Reverse current	$I_R$	$V_R=5V$	—	—	10	$\mu A$