

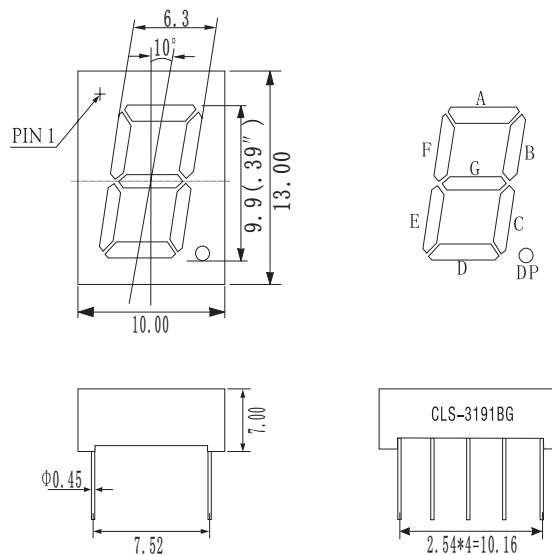
0.39" Single Digit LED Display

Model NO. : CLS-3191BG

Chip (Ta=±25°C)		PIN	Drive Mode	Face
Quantity	Emitting color	10.28mm	Com. Anode	
8ea	Red			

Package Outlines

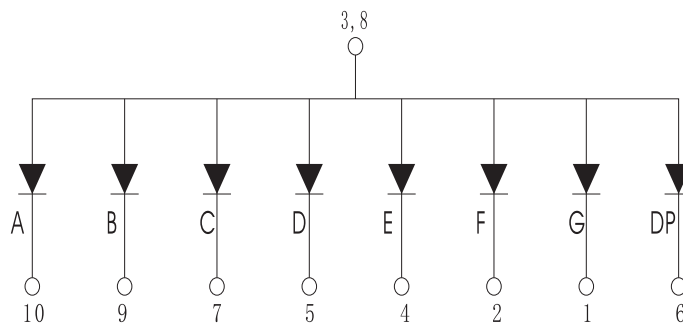
(unit:mm)



Notes:

1. All dimensions are in millimeters (inches).
2. Tolerances is ± 0.25 (0.01") unless otherwise noted.

Internal Circuit:



- ▲ LEDs
- ▲ LED Displays
- ▲ LED Light
- ▲ Infrared LEDs
- ▲ LCD Backlight

0.39" Single Digit LED Display

Model NO. : CLS-3191BG

■ Absolute Maximum Ratings (Ta=+25°C)

Characteristics	SYMBOL	RATING	UNIT	REMARK
Forward current per chip	I_F	20	mA	—
Peak forward current per chip	$I_{F(Peak)}$	100	mA	1/10 Duty Cycle
Reverse Voltage	V_R	5	V	—
Operating Temperature	T_{Opr}	-25 ~ +80	°C	—
Storage Temperature	T_{Stg}	-40 ~ +85	°C	—
Solder Temperature	T_{Sol}	260	°C	≤5 seconds
Power Dissipation per chip	P_d	100	mw	—

■ Electro-Optical Characteristics (Ta=25°C) :

Parameter	SYMBOL	Test condition	Min.	Typ.	Max.	UNIT
Forward Voltage	V_F	$I_F=20mA$	—	2.2	—	V
Dominant Wavelength	λ_d	$I_F=20mA$	—	571	—	nm
Spectrum width (Half value)	$\Delta \lambda$	$I_F=20mA$	—	35	—	nm
Luminous Intensity	I_V	$I_F=10mA$	—	2	—	mcd
Reverse current	I_R	$V_R=5V$	—	—	10	μA

▲ LEDs
 ▲ LED Displays
 ▲ LED Light

▲ Infrared LEDs
 ▲ LCD Backlight